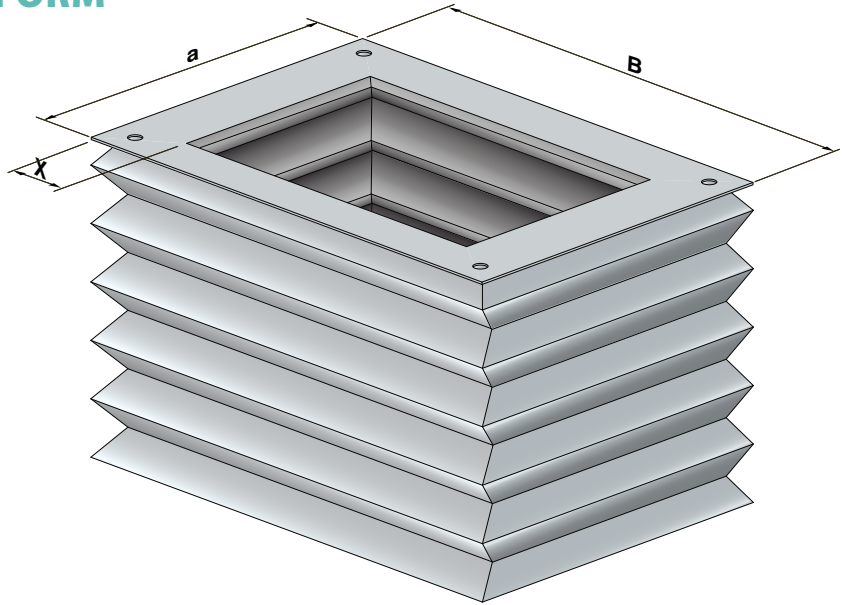


BELLOWS FOR HOISTING PLATFORM

Thermic-welded Bellows Type QL-RETT



- All calculation formulas are shown on page 27.

Systems for fastening Bellows for Lift Tables

I

Solution with sheet steel, aluminum or PVC flange. Shape and holes per customer drawings.

B

Solution with sheet steel, aluminum or PVC flange. Shape and holes per customer drawings.

E

Solution with rapid VELCRO connection. This solution offers:

- Rapid application and removal of the cover
- Low cost

CI

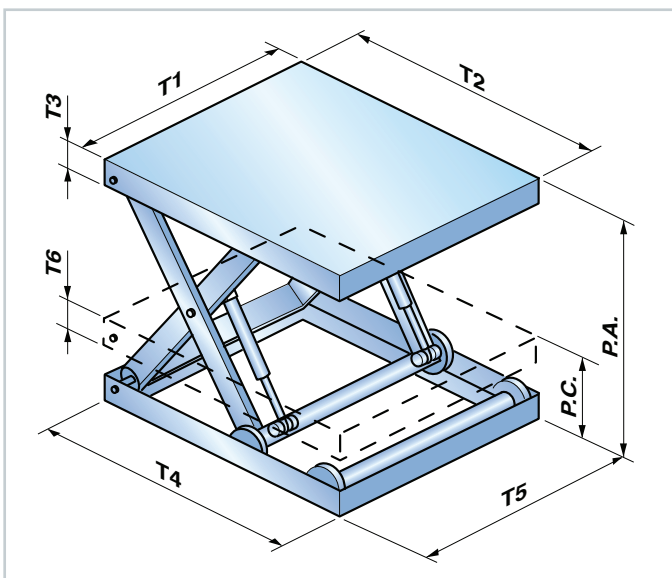
Bellows inner collar. Suitable for screw fastening.

CE

Bellows outer collar. Suitable for screw fastening.

EXAMPLES OF APPLICATION:

- Closing of upright doors
- Closing of storehouse rooms and interspaces
- Protection of level changing in assembly lines of the manufacturing industry
- Base protection of medical equipment



! Questionnaire for hoisting platforms BELLOWS:

a = mm

B = mm

X = mm

! Questionnaire for HOISTING PLATFORMS:

T1 = mm

T2 = mm

T3 = mm

T4 = mm

T5 = mm

T6 = mm

P.A. = mm

P.C. = mm

NP = mm

Upper side fastening I B E CI CE

Lower side fastening I B E CI CE

NOTE: The data fields and/or tables marked by **!** are the least ones to be filled in order to give you a quotation.