



WGN

The spiral-toothed right angle gearbox with hollow shaft – low noise levels and force-fit installation

Our **WGN** is a hollow-shaft right angle gearbox that operates with particularly low noise levels. At the same time, the spiral teeth increase the quality of your workpiece surfaces. It can be connected directly to the application via a shrink disc, a simple and reliable solution that offers you new design possibilities.

2 Best surface quality

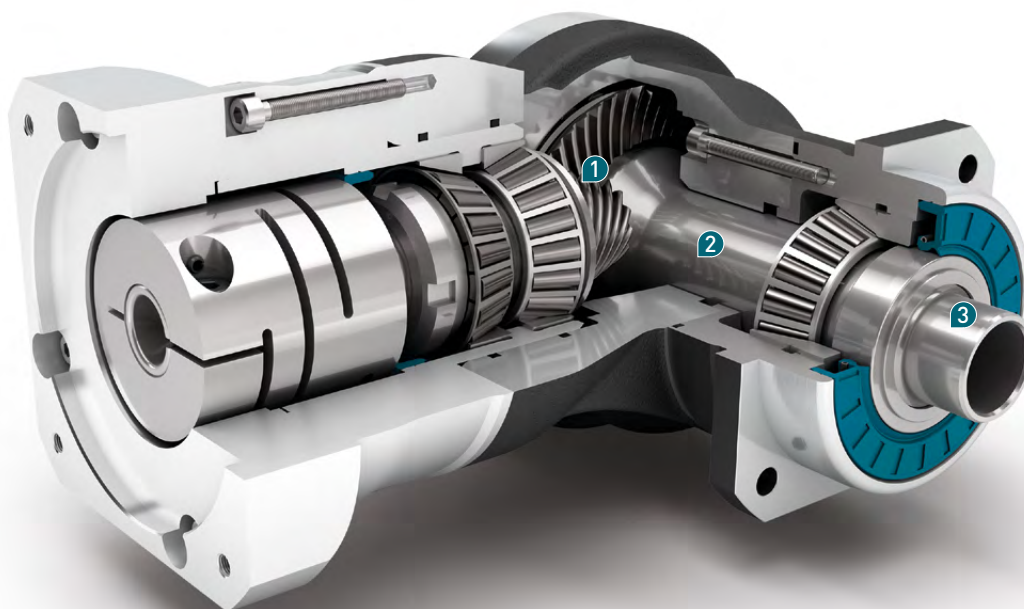
Thanks to its spiral teeth, the **WGN** achieves the optimal synchronism. You therefore benefit from the highest quality for your workpiece surfaces and prints.

1 Particularly quiet drive

Thanks to the Neugart-developed spiral teeth, the **WGN** delivers particularly quiet and low-vibration performance. The machine does not need any additional noise absorption measures.

3 Easy, reliable, force-fit

The hollow shaft in the **WGN** right angle gearbox can be force-fit to your machine shaft via shrink disc. This is reliable, simple, and saves space.



- + Individual adaptation of the input flange to the motor
- + Lifetime lubrication for maintenance-free operation
- + Counterdirectional rotation
- + Wide range of output shaft designs
- + Clamping systems with optimized mass moment of inertia
- + Line routing possible through hollow shaft

Code	Gearbox characteristics			WGN070	WGN090	WGN115	WGN142	z ⁽¹⁾
	Service life	t _L	h	20,000				1
	Service life at T _{2N} × 0,88			30,000				
	Efficiency at full load ⁽²⁾	η	%	95				
	Min. operating temperature	T _{min}	°C	-25 (-13)				
	Max. operating temperature	T _{max}	(°F)	90 (194)				
	Protection class			IP 65				
S	Standard lubrication			Oil				
F	Food grade lubrication			Oil				
	Installation position			Any				
S	Standard backlash	j _t	arcmin	< 5				
	Torsional stiffness ⁽²⁾	c _G	Nm/arcmin (lb _i .in/ arcmin)	1,6 - 2,2 (14 - 19)	4,2 - 5,7 (37 - 50)	9,2 - 12,4 (81 - 110)	23,5 - 31,5 (208 - 279)	
	Gearbox weight	m _G	kg (lb _m)	3 (6.6)	5 (11.0)	9,2 (20.3)	25 (55.1)	
S	Standard surface			Right angle housing: Aluminum – anodized (black)				
	Running noise ⁽³⁾	Q _g	dB(A)	66	67	68	70	
	Max. bending moment based on the gearbox input flange ⁽⁴⁾	M _b	Nm (lb _i .in)	12 (106)	25,5 (226)	53 (469)	120 (1062)	
	Motor flange precision			DIN 42955-R				

Output shaft loads			WGN070	WGN090	WGN115	WGN142	z ⁽¹⁾
Radial force for 20,000 h ⁽⁵⁾⁽⁶⁾	F _{r,20.000h}	N (lb _i)	2700 (608)	4000 (900)	6500 (1463)	10000 (2250)	1
Axial force for 20,000 h ⁽⁵⁾⁽⁶⁾	F _{a,20.000h}		4300 (968)	5900 (1328)	7000 (1575)	14500 (3263)	
Radial force for 30,000 h ⁽⁵⁾⁽⁶⁾	F _{r,30.000h}		2700 (608)	4000 (900)	6500 (1463)	10000 (2250)	
Axial force for 30,000 h ⁽⁵⁾⁽⁶⁾	F _{a,30.000h}		3700 (833)	5200 (1170)	6100 (1373)	12000 (2700)	
Static radial force ⁽⁶⁾⁽⁷⁾	F _{r,Stat}	2700 (608)	4000 (900)	6500 (1463)	10000 (2250)		
Static axial force ⁽⁶⁾⁽⁷⁾	F _{a,Stat}	4300 (968)	5900 (1328)	7000 (1575)	14500 (3263)		
Tilting moment for 20,000 h ⁽⁵⁾⁽⁷⁾	M _{K,20.000h}	Nm (lb _i .in)	252 (2230)	442 (3912)	970 (8585)	1505 (13319)	
Tilting moment for 30,000 h ⁽⁵⁾⁽⁷⁾	M _{K,30.000h}		252 (2230)	442 (3912)	970 (8585)	1505 (13319)	

Moment of inertia			WGN070	WGN090	WGN115	WGN142	z ⁽¹⁾
Mass moment of inertia ⁽²⁾	J	kgcm ² (lb _i .in.s ² 10 ⁻⁴)	0,502 - 0,834 (4.443 - 7.381)	0,908 - 1,417 (8.036 - 12.540)	4,805 - 6,111 (42.524 - 54.082)	12,885 - 16,204 (114.032 - 143.405)	1

⁽¹⁾ Number of stages

⁽²⁾ The ratio-dependent values can be retrieved in Tec Data Finder – www.neugart.com

⁽³⁾ Sound pressure level from 1 m, measured on input running at n₁=3000 rpm no load; i=5

⁽⁴⁾ Max. motor weight* in kg = 0.2 × M_b / motor length in m

* with symmetrically distributed motor weight

* with horizontal and stationary mounting

⁽⁵⁾ These values are based on an output shaft speed of n₂=100 rpm

⁽⁶⁾ Based on center of output shaft

⁽⁷⁾ Other (sometimes higher) values following changes to T_{2N}, F_r, F_a, cycle, and service life of bearing. Application specific configuration with NCP – www.neugart.com

Output torques			WGN070	WGN090	WGN115	WGN142	i ⁽¹⁾	z ⁽²⁾
Nominal output torque ⁽³⁾	T _{2N}	Nm (lb.in)	45 (398)	70 (620)	140 (1239)	320 (2832)	4	1
			42 (372)	70 (620)	140 (1239)	280 (2478)	5	
			27 (239)	50 (443)	90 (797)	180 (1593)	8	
			22 (195)	40 (354)	75 (664)	160 (1416)	10	
Max. output torque ⁽⁴⁾	T _{2max}	Nm (lb.in)	72 (637)	112 (991)	224 (1982)	512 (4531)	4	
			67 (593)	112 (991)	224 (1982)	448 (3965)	5	
			43 (381)	80 (708)	144 (1274)	288 (2549)	8	
			35 (310)	64 (566)	120 (1062)	256 (2266)	10	
Emergency stop torque ⁽⁵⁾	T _{2Stop}	Nm (lb.in)	100 (885)	200 (1770)	400 (3540)	800 (7080)	4	
			100 (885)	200 (1770)	400 (3540)	800 (7080)	5	
			75 (664)	150 (1328)	300 (2655)	700 (6195)	8	
			75 (664)	150 (1328)	300 (2655)	700 (6195)	10	

Input speeds			WGN070	WGN090	WGN115	WGN142	i ⁽¹⁾	z ⁽²⁾
Average thermal input speed at T _{2N} and S1 ⁽⁶⁾⁽⁷⁾	n _{1N}	rpm	1750 ⁽⁸⁾	1700 ⁽⁸⁾	1150 ⁽⁸⁾	950 ⁽⁸⁾	4	1
			1900 ⁽⁸⁾	1850 ⁽⁸⁾	1200 ⁽⁸⁾	950 ⁽⁸⁾	5	
			2300 ⁽⁸⁾	2200 ⁽⁸⁾	1400 ⁽⁸⁾	1050 ⁽⁸⁾	8	
			2400 ⁽⁸⁾	2350 ⁽⁸⁾	1500 ⁽⁸⁾	1050 ⁽⁸⁾	10	
Max. mechanical input speed ⁽⁶⁾	n _{1Limit}	rpm	16000	14000	9500	8000		

⁽¹⁾ Ratios (i=n₁/n₂)

⁽²⁾ Number of stages

⁽³⁾ Application specific configuration with NCP – www.neugart.com

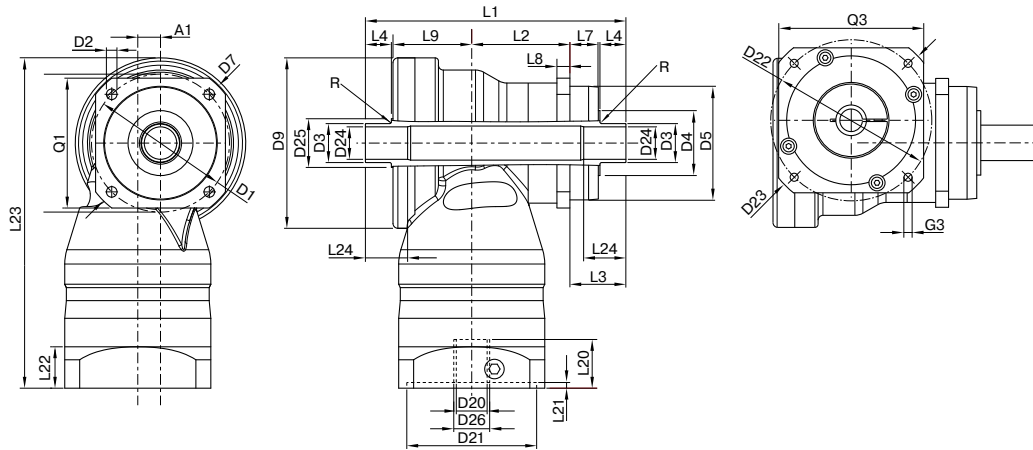
⁽⁴⁾ 30,000 rotations of the output shaft permitted; see page 128

⁽⁵⁾ Permitted 1000 times

⁽⁶⁾ Application-specific speed configurations with NCP – www.neugart.com

⁽⁷⁾ See page 128 for the definition

⁽⁸⁾ Average thermal input speed at 50% T_{2N} and S1



Drawing corresponds to a WGN090 / 1-stage / hollow output shaft on both sides / 19 mm clamping system / motor adaptation – 2-part – round universal flange / B5 flange type motor
All other variants can be retrieved in the Tec Data Finder at www.neugart.com

Geometry ⁽¹⁾			WGN070	WGN090	WGN115	WGN142	z ⁽²⁾	Code
Axis offset	A1		10 (0.394)	14 (0.551)	20 (0.787)	26 (1.024)		
Pitch circle diameter output	D1		68 - 75 (2.677 - 2.953)	85 (3.346)	120 (4.724)	165 (6.496)		
Mounting bore output	D2	4x	5.5 (0.217)	6.5 (0.256)	9.0 (0.354)	11.0 (0.433)		
Shaft diameter output	D3	h8	18 (0.709)	24 (0.945)	36 (1.417)	50 (1.969)		
Shaft collar output	D4		24 (0.945)	34 (1.339)	45 (1.772)	70 (2.756)		
Centering diameter output	D5	g7	60 (2.362)	70 (2.756)	90 (3.543)	130 (5.118)		
Diagonal dimension output	D7		92 (3.622)	100 (3.937)	140 (5.512)	185 (7.283)		
Max. diameter	D9		86 (3.386)	105 (4.134)	120 (4.724)	170 (6.693)		
Flange cross section output	Q1	■	70 (2.756)	80 (3.150)	110 (4.331)	142 (5.591)		
Housing length	L2		46.5 (1.831)	60.5 (2.382)	73.5 (2.894)	76 (2.992)		
Shaft length output	L3		33 (1.299)	34.5 (1.358)	48 (1.890)	54 (2.126)		
Centering depth output	L7		18 (0.709)	17.5 (0.689)	27 (1.063)	28 (1.102)		
Flange thickness output	L8		7 (0.276)	8 (0.315)	10 (0.394)	12 (0.472)		
Offset length	L9		43 (1.693)	48.5 (1.909)	56.5 (2.224)	87 (3.425)		
Min. overall height	L23		179 (7.047)	204 (8.012)	248 (9.744)	318 (12.520)	1	
Max. radius	R		1.5 (0.059)	1.5 (0.059)	1.5 (0.059)	1.5 (0.059)		
Clamping system diameter input	D26		More information on page 117					
Motor shaft diameter j6/k6	D20		The dimensions vary with the motor/gearbox flange. The input flange geometries can be retrieved for each specific motor in Tec Data Finder at www.neugart.com					
Max. permis. motor shaft length	L20							
Min. permis. motor shaft length								
Centering diameter input	D21							
Centering depth input	L21							
Pitch circle diameter input	D22							
Motor flange length	L22							
Diagonal dimension input	D23							
Mounting thread x depth	G3	4x						
Flange cross section input	Q3	■						
Hollow output shaft on one side								
Hollow shaft diameter	D24	H6	15 (0.591)	20 (0.787)	30 (1.181)	40 (1.575)		F
Total length	L1		122.5 (4.823)	143.5 (5.650)	179 (7.047)	217 (8.543)		
Shaft length from shoulder	L4		14 (0.551)	16 (0.630)	20 (0.787)	25 (0.984)		
Min. fit length	L24		20 (0.787)	25 (0.984)	30 (1.181)	35 (1.378)		
Hollow output shaft on both sides								
Hollow shaft diameter	D24	H6	15 (0.591)	20 (0.787)	30 (1.181)	40 (1.575)		G
Shaft collar	D25		25 (0.984)	30 (1.181)	42 (1.654)	58 (2.283)		
Total length	L1		137.5 (5.413)	160.5 (6.319)	200 (7.874)	243 (9.567)		
Shaft length from shoulder	L4		14 (0.551)	16 (0.630)	20 (0.787)	25 (0.984)		
Min. fit length	L24		20 (0.787)	25 (0.984)	30 (1.181)	35 (1.378)		

⁽¹⁾ Dimensions in mm (in)

⁽²⁾ Number of stages