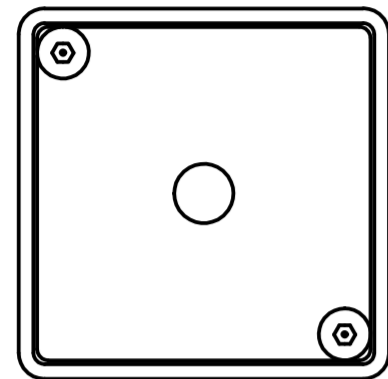
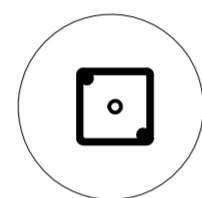


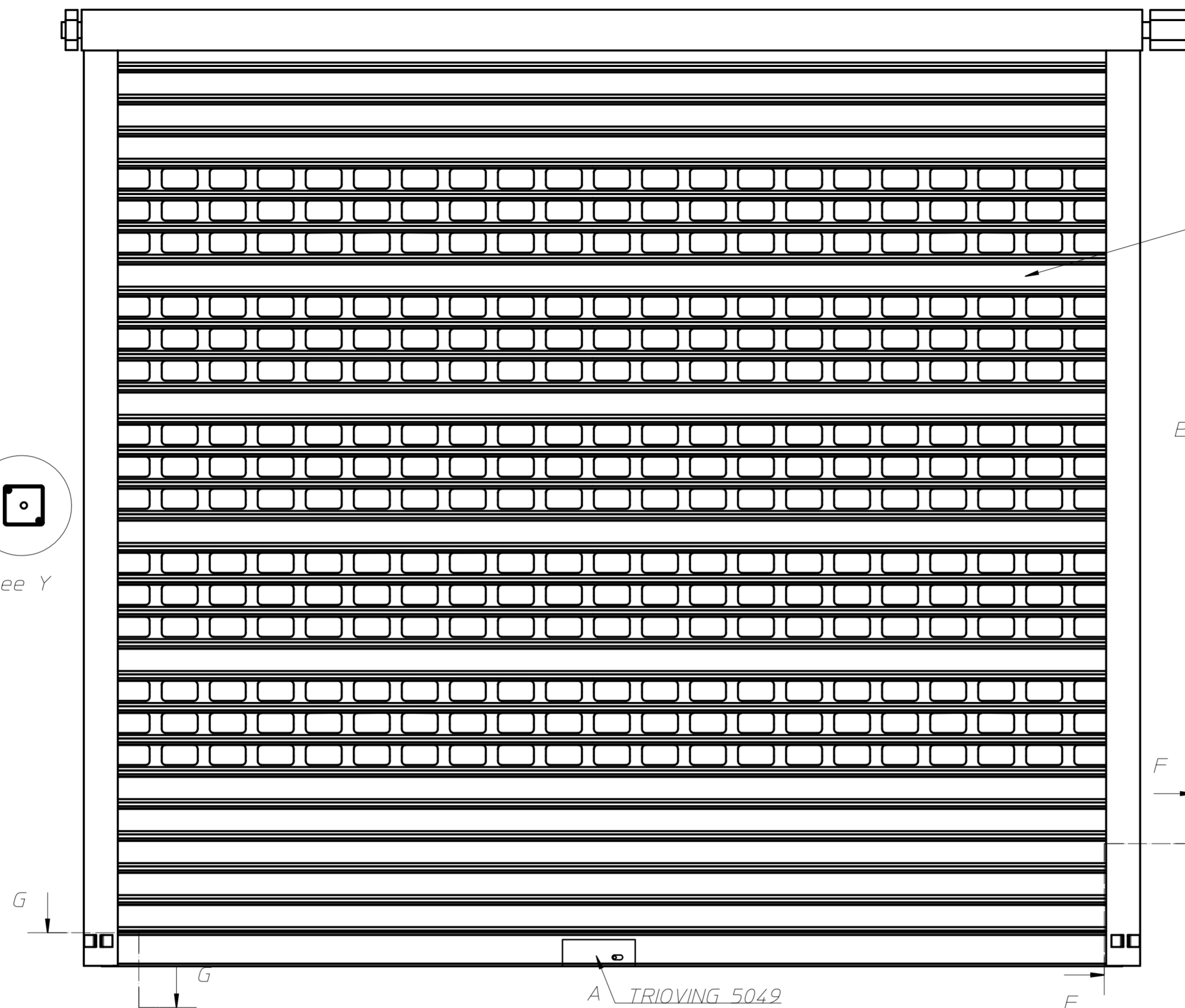
Nøkkelbryterskydd
Herdet Stål



Y
1:2

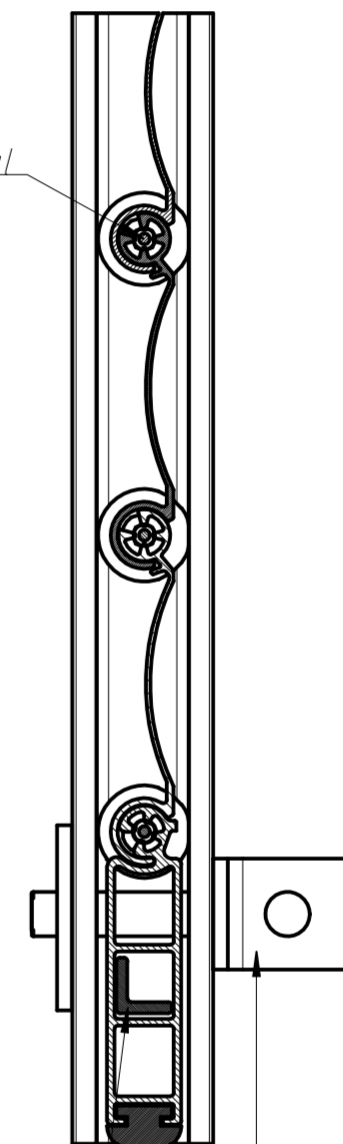


see Y



- 1 Bunnprofil AGG20081
- 4 Tette profiler AGG16307
- 3 Stanset profiler AGG16307
- 5 Tette i topp

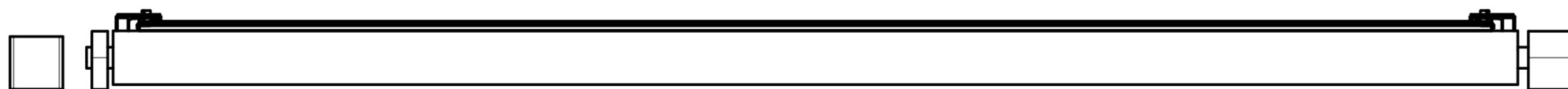
Pianostråd $\varnothing 3\text{mm}$ Herdet stål



Stålvinkel 15x15x3

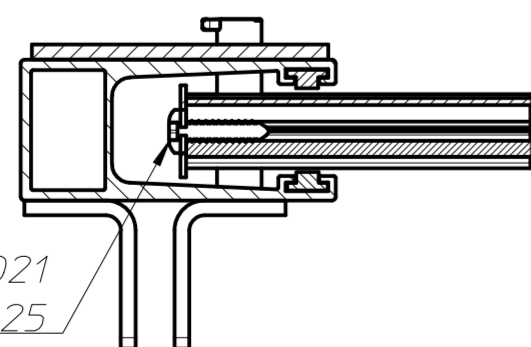
F-F
1:2

Låsebeslag for skinne



B

Skive 25x6,4x1,5 DIN9021
Plateskrue 6,3x25



G-G
1:2

USE RANGE	TOLERANCE	SURFACE	ARCHIVE MATERIAL	SCALE 1:10
	DATE	NAME	DESCRIPTION	
	DRAWN			
	APPR.			
	RLS.			
			DRAWING-NUMBER	SHEET
			OLAR_RULLERGITTER.stp	1
				OF 1
INDEX DESCRIPTION	DATE	NAME ORIGINAL	IEXCHF.	IEXCH.TH.