

AUTOMATIC SMOKE CURTAINS

Bolton Gate's rolling smoke curtains are designed to restrict the lateral spread of smoke and hot gases along the underside of a roof, ceiling or balcony within a building in the event of fire. They are used as part of a smoke control system to create smoke reservoirs from which smoke and hot gases can be extracted or to stop the spread of smoke allowing valuable time for occupants to escape.

Bolton Gate's smoke curtains have been successfully tested and meet the requirements of BS 7346 Part 3, BS 476 Part 20 and BS EN 12101-1

and are supplied with a gravity failsafe system ensuring closure in the event of power failure. They are available in wide spans and can be face fixed, soffit fixed or suspended on rods.

Smoke curtains can be supplied in unlimited widths by use of our overlap system with curtains up to 5 metres wide being serviced by single span rollers.

STANDARD SPECIFICATION

Curtain

Specially coated grey fiberglass material tested to withstand temperatures of 600°C for one hour. The curtain thickness is approximately 0.7mm and the weight 635gms/m².

Bottom Rail

A double angle bottom rail is attached to the curtain and is designed to stop at ceiling level or into a recess in the box when raised.

Roller

The curtain coils on to a steel roller mounted on endplate bearings.

Box

The roller and coiled up curtain are housed in a galvanised head box, which is prepared for fixing to the building structure. Single span rollers have a 150 x 150mm box with overlap curtains using a 250mm wide x 150mm high box.

OPERATION

Smoke curtains are electrically operated by 24 volt DC tubular motors and are supplied with a control panel which has a battery back-up and is connected (wiring by others) to a normally-closed volt-free contact within the building's fire alarm panel. The standard control panel will operate one motor and a group panel supplied to operate up to six motors within the same smoke compartment.

The system requires a 240 volt single phase fused spur within one metre of the control panel; this supply must be installed prior to us attending site.



On receipt of a signal from the fire alarm panel, the curtains will failsafe close by gravity and open automatically when the fire signal ceases.

Failsafe Operation

In the event of power failure, the curtains will automatically close by gravity with a controlled descent.

FINISH

The box is galvanised as standard and can be polyester powder coated at extra cost. The bottom rail is finished white.

SIDE GUIDES

The curtain is also available with side guides should there be a requirement that the curtain falls to floor level or where an increased pressure differential is envisaged.

MAXIMUM SIZES

Unlimited width x 10 metres high.

OPERATING SPEED

Approximately 75mm per second.

WEIGHT

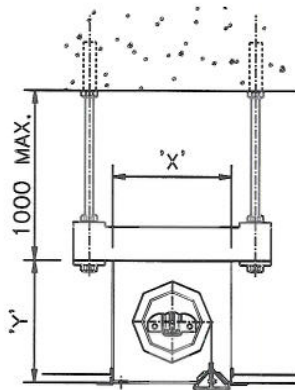
Typically 30kgs per linear metre of width for curtain, box and bottom rail.

OPTIONS

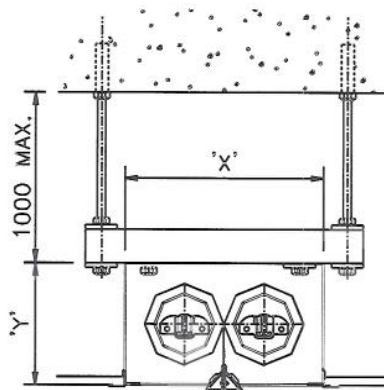
- Various box arrangements
- Powder coated finish to the box
- Single or multiple rollers
- Unistrut support system

AUTOMATIC SMOKE CURTAINS

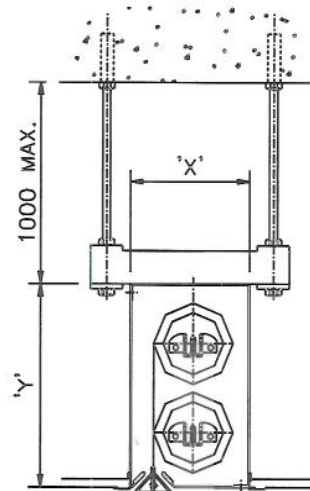
HEAD DETAILS



CURTAIN WIDTHS
UP TO 5500mm



CURTAIN WIDTHS
OVER 5500mm

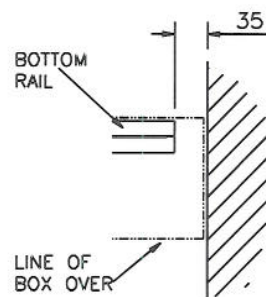
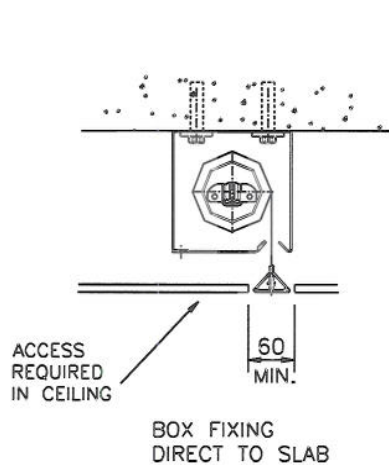


ALTERNATIVE BOX
ARRANGEMENT FOR
CURTAIN WIDTHS
OVER 5500mm

CLEAR HEIGHT	'X'	'Y'
up to 3000	150	150
3001 to 8000	180	180
8001 to 12000	210	210

CLEAR HEIGHT	'X'	'Y'
up to 3000	250	150
3001 to 8000	310	180
8001 to 12000	350	210

CLEAR HEIGHT	'X'	'Y'
up to 3000	150	250
3001 to 8000	210	350
8001 to 12000	230	390



PLAN DETAIL
INDICATING GAP
BETWEEN CURTAIN
AND STRUCTURE

ALL DIMENSIONS IN mm.